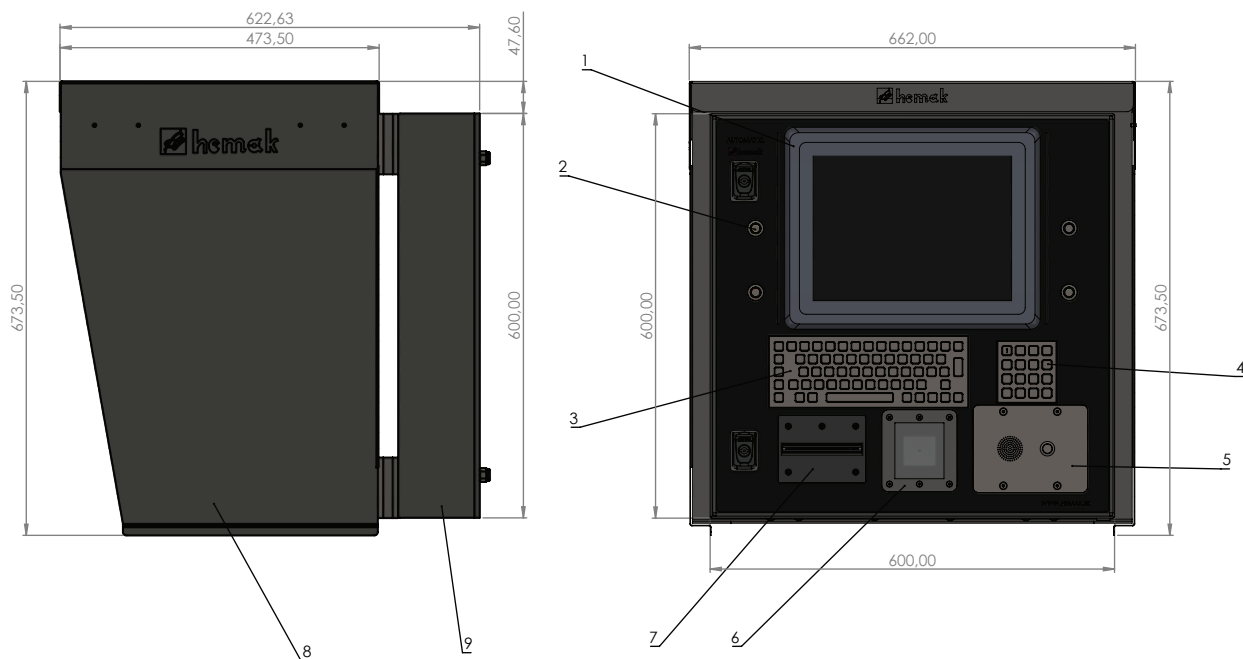




System for self-service weighing with display, Intercom, keyboard, QR code printer. The terminal is equipped with RFID card reader or QR code reader, Intercom, printer, keyboard and touch screen. The terminal can be used for automatic weighing with the possibility of selecting materials or as an input terminal for registration. Once registered, the terminal prints a QR code card. The system stores the registered information with the QR code in the software. The driver with the card arrives at the scale and attaches the QR code to the S,M, or L terminal. The scale registers the information from the code and saves the weighing. For the second weighing, the process is repeated, the software then closes the weighing with the net weight calculation.

- ✓ QR/EAN code reader
- ✓ NFC reader
- ✓ RFID UHF reader
- ✓ Touchscreen display with keypad
- ✓ Intercom
- ✓ Image signalling
- ✓ Audio signalling capability
- ✓ Robust industrial design
- ✓ Multiple mounting types
- ✓ Dockable printer
- ✓ Custom solutions
- ✓ Wide range of accessories (camera, lighting...)
- ✓ Developed and MADE IN SLOVAKIA

SCALIS AUTOMAT XL



1/ Touch display
2/ Buttons to confirm selection
3/ Keypad, stainless steel

4/ Numeric keypad, stainless steel
5/ Intercom
6/ RFID and QR reader

7/ Printer
8/ Protective cover, stainless steel
9/ Mounting bracket for column

